

FIRST CLASS • DATED MATERIAL

Terri Jones, 1037 Grand St, Phillipsburg, NJ 08865
Telephone: (732) 261-3587
SnoopyRockyMom@gmail.com

Accommodations
Motels and Camping

Overnight RV camping is allowed at the park (Lot G), but there are no hookups. The fee is \$30 per night if you pre-register, or \$40 per night if you do not. You must call Karen Behr at 908-722-1200, ext. 5225 to pre-register.

Please check the hotel policy on pets.

Fairbridge Hotel & Conference Center
(formerly Holiday Inn Somerset)
195 Davidson Ave, Somerset, NJ 08873
(732) 356-1700

NEAREST VETERINARY CLINICS

Animerge
Route 206 South, Raritan, NJ
(908) 707-9077

Crown Veterinary
23 Blossom Hill Rd, Lebanon, NJ
(908) 236-4120

Be sure to bring plenty of shade and water for your hounds.

Real bathrooms are on site.

ASFA Certs will be held both days after Best in Field.

**If weather and equipment allow, practices will be held on
Saturday after ASFA certifications.
There will be no practices on Sunday.**

PREMIUM LIST

*EARLY ENTRIES CLOSE Tuesday, May 14, 2019 at 5:00PM
at the FTS's address
DAY OF TRIAL ENTRIES CLOSE 8:30 AM each day
at the FTS's Table*



Region 8

ASFA ALL-BREED FIELD TRIALS

May 18th & 19th, 2019

Colonial Park
156 Mettlers Rd, Somerset, NJ
Pine Grove Pavillion, Lot G

Early Entry Fees - \$20 per dog;
Day of Entry Fees - \$25
Singles limited to 6 entries
No charge for ASFA Certifications

*Permission has been granted by the American Sighthound Field Association
for the holding of this event under ASFA Rules and Regulations.
Audrey Silverstein, Chairperson, ASFA Scheduling Committee*

Go to www.ASFA.org
for online Rulebook, Policies, Contacts, Clubs,
Trial Schedules, Trial Results & much more.

Lehigh Valley Coursing Club (LVCC)

Karen Christensen...President Terri Jones....Acting VP
 Terri Jones...Treasurer Robin Coen...Secretary

Directors: John Miller, Dave Milne, Paul Obelcz

JUDGES & ASSIGNMENTS

Sally Fineburg, 8 Anne Marie Lane, Titusville, NJ
 Bob Marciszewski, 11330 Glen Arm Road, Glen Arm, MD
 Kathy Sanders, 1425 Dill Ave, Linden, NJ

S = Single Judge * = Provisional Judge # = Canadian Judge

SATURDAY

JUDGE	A	Az	Ba	B	C	G	Ib	IW	I G	P	R	S	SD	SI	SW	W	Sgl	Ltd
Sally		S		S	S		S		S	S						S		S
Bob	S		S			S		S			S	S	S	S	S		S	

Singles, IW, IG, BA, S, SD, A, W, G, A, Az, Ltd, B, IB, P, R, SW, SI

JUDGE	A	Az	Ba	B	C	G	Ib	IW	I G	P	R	S	SD	SI	SW	W	Sgl	Ltd
Sally	S		S			S		S				S	S		S			
Bob		S			S		S		S	S								S
Kathy				S							S			S		S	S	

Singles, IW, IG, BA, S, SD, A, W, G, A, Az, Ltd, B, IB, P, R, SW, SI

FIELD COMMITTEE

Field Trial Chairman	Jennifer Price
Field Trial Secretary	Terri Jones
Lure Operators	Bob O'Neil, Tom Smith, Paul Obelcz
Field Clerks	John Jones, Lois Obelcz

TRIAL HOURS 8:00AM UNTIL AFTER RIBBONS ARE AWARDED.

Day of Trial entries close at 8:30 AM

Substitutions (same owner) until May 9 at 5:00 PM

ROLL CALL: Promptly at 8:30 AM for trial entries.

(Earlier for Field Committee, if available, or if pre-entered in trial)

ENTRIES WILL NOT BE ACKNOWLEDGED BY RETURN MAIL OR PHONE;

ENTRIES MAY BE ACKNOWLEDGED BY E-MAIL

IF OWNER FORWARDS E-MAIL ADDRESS.

Ribbons or rosettes will offered for all placements.

First=Blue, Second=Red, Third=Yellow, Fourth=White, NBQ=Green

Highest Scoring Single=Navy/Gold, Best of Breed=Purple/Gold,

& Best in Field=Red, White & Blue.

There will be special awards for Salukis: ASA Medallions and the ASA ANE Regional Trophy

ELIGIBLE BREEDS & REGISTRY

Only purebred Afghan Hounds, Azawakhs, Basenjis, Borzoi, Cirneco dell'Etna, Greyhounds, Ibizan Hounds, Irish Wolfhounds, Italian Greyhounds, Pharaoh Hounds, Rhodesian Ridgebacks, Salukis, Scottish Deerhounds, Silken Windhounds, Sloughis, Whippets.

Limited breeds may be entered in the Limited Stake or the Singles Stake. Limited breeds currently include purebred Chart Polski, Galgo Español, Magyar Agar, Peruvian Inca Orchid, Portuguese Podengo (Pequeno), Portuguese Podengo (Medio & Grande), and must be individually registered with the appropriate registry.

All entries shall be individually registered with the AKC (ILP/PAL included), the NGA, the UKC, the FCI, an ASFA-recognized foreign or ASFA Board approved registry, or possess a CRN from the SPDBS. A photocopy of acceptable registry must be submitted with each hound's first ASFA field trial entry; this requirement is waived for hounds registered with the NGA.

REGULAR STAKES OFFERED

OPEN STAKE: Any eligible sighthound who has met the certification requirements. ASFA Field Champions of record are excluded.

FIELD CHAMPION STAKE: Any ASFA Field Champion

VETERAN STAKE: Any eligible hound who has met the certification requirements and whose age is at least six years, except Irish Wolfhounds whose age shall be at least five years, and Afghan Hounds, Rhodesian Ridgebacks, Salukis and Whippets whose age shall be at least seven years. Points go toward V-FCh or V-LCM titles.

LIMITED STAKE: Any eligible sighthound of a Limited breed that has met certification requirements. Not eligible to compete in Best of Breed or Best in Field.

SINGLE STAKE: Any eligible sighthound including those disqualified to run in other stakes. Each hound runs alone. Not eligible for Best of Breed or Best in Field. Hounds are eligible to earn TCP and CPX titles from the Singles stake. Limited breeds are not eligible for these titles. Limited to 6 entries.

Certifications will be run both days after Best In Field

BEST IN FIELD WILL BE OFFERED

Conditions of Entry: All entries must be one year or older on the day of the trial • Stakes will be split into flights by public random draw if the entry in any regular stake is 20 or more • Bitches in season, lame hounds and hounds with breed disqualifications will be excused at roll call. • Spayed, neutered, monorchid or cryptorchid hounds without breed disqualifications may be entered; hounds with breed disqualifications are not eligible to enter except in the Single Stake • Hounds not present at the time of roll call will be scratched • All hounds will run twice, in trios if possible or braces (except in the Single Stake), unless excused, dismissed or disqualified.

Equipment: Type of lure machine: battery-powered continuous-loop system. • Type of lures: highly-visible white plastic strips • Back-up equipment will be available.

Special Trophies and Awards for Salukis:

In conjunction with the LVCC's trials on May 18-19, 2019, the ASA (American Saluki Association) will be offering the ASA Atlantic North East Regional trophy for Salukis only.

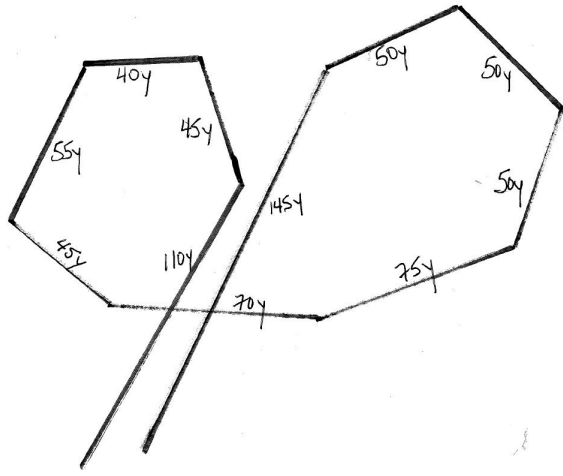
In order to claim the trophy, the winning Saluki's primary owner must be an ASA member in good standing. For further information contact CynDee Hahn, ASA Lurecoursemaster at saluki90@charter.net or call (314) 839- 0620

The ASA Regional Lure Coursing Trophy is a perpetual trophy offered to the winner of a special run-off between the highest scoring or BOB ASA member-owned Salukis over a two-day lure coursing trial. The regional lure coursing trophies were commissioned by donations from the various ASA regions and created by Saluki breeder, judge, and noted sculptor Garry Newton. These can be awarded annually, and must be awarded at a two-day ASFA field trial weekend put on by any ASFA club. The Saluki that wins any ASA Regional Lure Coursing Trophy must be owned by an ASA member.



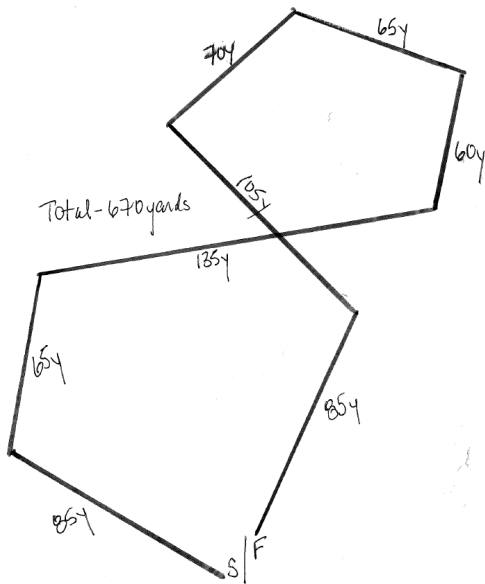
COURSE PLANS

Saturday – Total 735 yards



S/F

Sunday – Total 670 yards



S/F

Routes to Colonial Park, Somerset, NJ (note location)

From the North: Take 287 South to Exit 12 for Westin Canal Rd toward Manville/S Bound Brook. Turn left onto Weston Canal Road. Take 3rd left onto Randolph Road. Turn right onto Schoolhouse Rd. Turn left onto Mettlers Road. Colonial Park will be on the left.

From the South: Take I-95N to exit 7b to merge onto US 206North/bayard Ln/County Rd 533. Continue to follow 206 North. Turn right onto Amwell Road. Turn left onto Mettlers Road. Park will be on the left.

From the West: Take 78 East to Exit 29 for I-287 toward US202/206/I80 Morristown/Somerville. Keep right at the fork to continue toward I-287S. Keep left at the fork following signs for I-287 S/Perth Amboy and merge to I-287South. Take Exit 12 off 287 South for Weston Canal Road. Take 3rd left onto Randolph Road. Turn right onto Schoolhouse Road. Turn left onto Mettlers Road. Park will be on your right.

From the East: Take I-287 North to Exit 12 for Weston Canal Rd toward Manville/S Bound Brook. Turn left onto Canal Rd. Continue onto Weston Canal Road. Turn left onto Randolph Rd. Turn right onto Schoolhouse Rd. Turn left onto Mettlers Road. Park will be on your right.

Once you enter the park, go to Parking Lot G – Pine Grove Pavillion

OFFICIAL AMERICAN SIGHTHOUND FIELD ASSOCIATION ENTRY FORM

Lehigh Valley Coursing Club

May 18, 2019

Early entries close **May 14, 2019 at 5PM** at the FTS's residence.

Early entry fees: **\$20 per dog**; Day of trial entry fee: **\$25**

(Substitutions, same owner, until May 14, 2019 at 5PM

Make checks payable (in US funds) to LVCC and mail to:

Terri Jones – FTS • 1037 Grand St, Phillipsburg, NJ 08865

Fee Paid _____ The Field Secretary cannot accept conditional, unsigned, incomplete or unpaid entries; please check your completed entry carefully.

Breed:		Call Name:	
Registered Name of Hound:			
Stake: <input type="checkbox"/> Open <input type="checkbox"/> FCH <input type="checkbox"/> Veteran <input type="checkbox"/> Single <input type="checkbox"/> Limited		Additional Stakes <input type="checkbox"/> Kennel <input type="checkbox"/> Breeder <input type="checkbox"/> Bench	
Registration Number: (please write in registering body before number)			
<input type="checkbox"/> If possible, please separate my hounds	Date of Birth:	Sex: <input type="checkbox"/> Dog <input type="checkbox"/> Bitch	
Name of actual owner(s):			
Address:		Phone:	
City:		State:	Zip:
E-mail (Optional)		(Optional) Region of Residence:	
Emergency Contact Name and Phone (Optional)			
<input type="checkbox"/> Check if this is the first ASFA trial for this hound. Attach a Hound Certification or waiver if entered in Open, Veterans, Limited.			
<input type="checkbox"/> Check if this is a first-time entry, a copy of the official Registration of this hound must accompany this entry unless NGA.			
<input type="checkbox"/> Check if any information has changed since the last ASFA trial entry. Regarding _____			
<input type="checkbox"/> Check if this hound has been dismissed within the last 6 trials entered. Must be marked in order to qualify for a "clean" trial requirement.			

I CERTIFY that I am the actual owner of this dog, or that I am the duly authorized agent of the actual owner whose name I have entered above. In consideration of the acceptance of this entry and the opportunity to have this dog judged and to win prize money, ribbons, or trophies, I (we) agree to abide by the rules and regulations of the American Sighthound Field Association in effect at the time of this lure field trial, and by any additional rules and regulations appearing in the premium list for this lure field trial. I (we) agree that the club holding this lure field trial has the right to refuse this entry for cause, which the club shall deem to be sufficient. I (we) agree to hold this club, its members, directors, governors, officers, agents or other functionaries, any employees of the aforementioned parties and the owner(s) of the trial premises or grounds harmless from any claim for loss or injury which may be alleged to have been caused directly or indirectly to any person or thing by the act of this dog while in or upon the lure field trial premises or grounds or near any entrance thereto and I (we) personally assume all responsibility and liability for any such claim, and I (we) further agree to hold the aforementioned parties harmless from any claim loss of this dog by disappearance, theft damage or injury be caused or alleged to be caused by the negligence of the club or any of the aforementioned parties or by the negligence of any person or any other cause or causes. I (we) certify and represent that the dog entered is not a hazard to person or other dogs. This entry is submitted for acceptance of the forgoing representations and agreements.

SIGNATURE of owner or his agent

duly authorized to make this entry _____

Please separate the entries before submitting to FTS.

OFFICIAL AMERICAN SIGHTHOUND FIELD ASSOCIATION ENTRY FORM

Lehigh Valley Coursing Club

May 19, 2019

Early entries close **May 14, 2019 at 5PM** at the FTS's residence.

Early entry fees: **\$20 per dog**; Day of trial entry fee: **\$25**

(Substitutions, same owner, until May 14, 2019 at 5PM

Make checks payable (in US funds) to LVCC and mail to:

Terri Jones – FTS • 1037 Grand St, Phillipsburg, NJ 08865

Fee Paid _____ The Field Secretary cannot accept conditional, unsigned, incomplete or unpaid entries; please check your completed entry carefully.

Breed:		Call Name:	
Registered Name of Hound:			
Stake: <input type="checkbox"/> Open <input type="checkbox"/> FCH <input type="checkbox"/> Veteran <input type="checkbox"/> Single <input type="checkbox"/> Limited		Additional Stakes <input type="checkbox"/> Kennel <input type="checkbox"/> Breeder <input type="checkbox"/> Bench	
Registration Number: (please write in registering body before number)			
<input type="checkbox"/> If possible, please separate my hounds	Date of Birth:	Sex: <input type="checkbox"/> Dog <input type="checkbox"/> Bitch	
Name of actual owner(s):			
Address:		Phone:	
City:		State:	Zip:
E-mail (Optional)		(Optional) Region of Residence:	
Emergency Contact Name and Phone (Optional)			
<input type="checkbox"/> Check if this is the first ASFA trial for this hound. Attach a Hound Certification or waiver if entered in Open, Veterans, Limited.			
<input type="checkbox"/> Check if this is a first-time entry, a copy of the official Registration of this hound must accompany this entry unless NGA.			
<input type="checkbox"/> Check if any information has changed since the last ASFA trial entry. Regarding _____			
<input type="checkbox"/> Check if this hound has been dismissed within the last 6 trials entered. Must be marked in order to qualify for a "clean" trial requirement.			

I CERTIFY that I am the actual owner of this dog, or that I am the duly authorized agent of the actual owner whose name I have entered above. In consideration of the acceptance of this entry and the opportunity to have this dog judged and to win prize money, ribbons, or trophies, I (we) agree to abide by the rules and regulations of the American Sighthound Field Association in effect at the time of this lure field trial, and by any additional rules and regulations appearing in the premium list for this lure field trial. I (we) agree that the club holding this lure field trial has the right to refuse this entry for cause, which the club shall deem to be sufficient. I (we) agree to hold this club, its members, directors, governors, officers, agents or other functionaries, any employees of the aforementioned parties and the owner(s) of the trial premises or grounds harmless from any claim for loss or injury which may be alleged to have been caused directly or indirectly to any person or thing by the act of this dog while in or upon the lure field trial premises or grounds or near any entrance thereto and I (we) personally assume all responsibility and liability for any such claim, and I (we) further agree to hold the aforementioned parties harmless from any claim loss of this dog by disappearance, theft damage or injury be caused or alleged to be caused by the negligence of the club or any of the aforementioned parties or by the negligence of any person or any other cause or causes. I (we) certify and represent that the dog entered is not a hazard to person or other dogs. This entry is submitted for acceptance of the forgoing representations and agreements.

SIGNATURE of owner or his agent

duly authorized to make this entry _____

Please separate the entries before submitting to FTS.

**AMERICAN SIGHTHOUND FIELD ASSOCIATION
HOUND CERTIFICATION**

Rule effective October 1, 1994: Ch. V, Sec. 4 (a) OPEN STAKE: *To be eligible to enter the open stake, a hound must have been certified by a licensed judge within the year preceding the closing date for the entry or have previously competed in the Open Stake.* This eligibility requirement also applies to a hound entered in the Limited or Veteran Stake, which has not competed in Open previously. Please complete this portion of this form and attach it to the entry form for the hound's first entry, including an entry for a Fun Trial.

Registered Name of Hound: _____

Registration Number: _____ Breed: _____

Registered Owner's Name: _____

I hereby certify that on (date) _____, the above named hound completed a lure course of at least 500 yards, running with another hound of the same breed (or another breed with a similar running style). During the course the above named hound showed no inclination to interfere with the other hound. I further certify that I am a licensed judge for the ASFA.

Name of Licensed Judge: _____

Signature: _____ Date: _____

I hereby certify that the hound running in the certification course is the hound identified above and that information provided on this form is true and correct.

Signature: _____ Date: _____

Owner or Authorized Agent of Hound

This certification form must be attached to the entry form the first time this hound is entered in an open, limited, or veteran stake. Any hound entered in open, limited, or veteran (as a first time entered hound), which has not been certified, shall be declared ineligible by the records coordinator and shall forfeit any points and placements awarded.

PLEASE RETAIN A COPY FOR YOUR RECORDS.

**AMERICAN SIGHTHOUND FIELD ASSOCIATION
HOUND CERTIFICATION WAIVER**

Waiver of Requirement: *This requirement will be waived for a hound that has earned a lure coursing or racing title from another recognized organization, if such title requires competition, and if a waiver for such title has been approved by the ASFA, or a CKC Hound Certification Form.* If your hound qualifies for a waiver, complete this portion of this form and attach it to your entry form. Proof of waivers must accompany this certification form.

Registered Name of Hound: _____

Registration Number: _____ Breed: _____

Registered Owner's Name: _____

CKC: FCH FCHX

AKC: QC SC FC

Hound Certification previously submitted.

I hereby certify that the hound identified above has completed the requirements for the title indicated above (or that the required Certification was previously submitted) and that the information provided on this form is true and correct.

Signature: _____ Date: _____

Owner or Authorized Agent of Hound

**AMERICAN SIGHTHOUND FIELD ASSOCIATION
HOUND CERTIFICATION**

Rule effective October 1, 1994: Ch. V, Sec. 4 (a) OPEN STAKE: *To be eligible to enter the open stake, a hound must have been certified by a licensed judge within the year preceding the closing date for the entry or have previously competed in the Open Stake.* This eligibility requirement also applies to a hound entered in the Limited or Veteran Stake, which has not competed in Open previously. Please complete this portion of this form and attach it to the entry form for the hound's first entry, including an entry for a Fun Trial.

Registered Name of Hound: _____

Registration Number: _____ Breed: _____

Registered Owner's Name: _____

I hereby certify that on (date) _____, the above named hound completed a lure course of at least 500 yards, running with another hound of the same breed (or another breed with a similar running style). During the course the above named hound showed no inclination to interfere with the other hound. I further certify that I am a licensed judge for the ASFA.

Name of Licensed Judge: _____

Signature: _____ Date: _____

I hereby certify that the hound running in the certification course is the hound identified above and that information provided on this form is true and correct.

Signature: _____ Date: _____

Owner or Authorized Agent of Hound

This certification form must be attached to the entry form the first time this hound is entered in an open, limited, or veteran stake. Any hound entered in open, limited, or veteran (as a first time entered hound), which has not been certified, shall be declared ineligible by the records coordinator and shall forfeit any points and placements awarded.

PLEASE RETAIN A COPY FOR YOUR RECORDS.

**AMERICAN SIGHTHOUND FIELD ASSOCIATION
HOUND CERTIFICATION WAIVER**

Waiver of Requirement: *This requirement will be waived for a hound that has earned a lure coursing or racing title from another recognized organization, if such title requires competition, and if a waiver for such title has been approved by the ASFA, or a CKC Hound Certification Form.* If your hound qualifies for a waiver, complete this portion of this form and attach it to your entry form. Proof of waivers must accompany this certification form.

Registered Name of Hound: _____

Registration Number: _____ Breed: _____

Registered Owner's Name: _____

CKC: FCH FCHX

AKC: QC SC FC

Hound Certification previously submitted.

I hereby certify that the hound identified above has completed the requirements for the title indicated above (or that the required Certification was previously submitted) and that the information provided on this form is true and correct.

Signature: _____ Date: _____

Owner or Authorized Agent of Hound