

Early Entries close midnight, Saturday, July 20, 2019  
At PO Box 1096, Shelton, WA 98584  
Day-of-Trial Entries Close 7:30 am, July 27, 2019 on site  
Day of Entry Fee-\$30.00

PREMIUM LIST

*Irish Wolfhound Association  
Of the West Coast*



Saturday, July 27, 2019

**IRISH WOLFHOUND BREED ONLY  
ASFA LURE COURSING TRIAL  
Region 10**

Lompoc High School  
515 W College Ave  
Lompoc, CA 93436

**Early Entry fees:  
\$20 First entry  
\$18 second entry (same owner)  
Day of Entry fee: \$30.00**

Permission has been granted by the American Sighthound  
Field Association for the holding of this event under American Sighthound Field  
Association Rules and Regulations.

Audrey Silverstein, Chairman ASFA Scheduling Committee

Lori Walker  
IWAWC Trial Secretary  
PO Box 1096  
Shelton, WA 98584

DATED MATERIAL  
FIRST CLASS MAIL

## Irish Wolfhound Association of the West Coast

### OFFICERS:

President: Cheryl Rice  
Treasurer: Peter Brown      Secretary: Patricia Cobb

### DIRECTORS:

Tom Powers, Michelle Quesada Angela Constable, Linda Randall, Lori Walker

### JUDGE :

Michael Hussey, Elizabeth, CO, 80107

### FIELD COMMITTEE:

Field Chairman: Silvan Urfer  
Field Trial Secretary: Lori Walker, [franjoiw@gmail.com](mailto:franjoiw@gmail.com)      253-670-5608  
Lure Operator: Mo Aiken

**TRIAL HOURS:** 7:00 am until completion

**ROLL CALL:** 8:00 AM followed by the draw

### RIBBONS & TROPHIES:

Ribbons will be awarded for BOB– Purple and Gold Rosette, 1<sup>st</sup> Place– Blue, 2<sup>nd</sup> Place– Red, 3<sup>rd</sup> Place– Yellow, 4<sup>th</sup> Place– White and NBQ– Dark Green in Open, Field Champion and Veteran classes. Acknowledgement will be offered for 1<sup>st</sup> place Kennel & Breeder Stakes.

BEST OF BREED AT SPECIALTY: IWAWC offers a Metal Garden Stake (or equivalent for BOB)

SPECIALTY LURE TRIAL BOB CHALLENGE TROPHY- The Pirate Queen Best of Breed Lure Coursing Trophy, a walnut plaque offered by Cathy Lursen and Ed Powers, in commemoration of DC Castlemaine's Pirate Queen, LCM, CD, SC, RN- "Gracie". For permanent possession to be won three times by the same owner, not necessarily with the same dog (re-donated by Sue Kocsis).

**ELIGIBILITY REQUIREMENTS** Only purebred Irish Wolfhounds, that are individually registered with the AKC (ILP and PAL included), the Federation Cynologique Internationale, an ASFA recognized foreign or an ASFA Board approved registry.

**ENTRY ACCEPTANCE & ACKNOWLEDGEMENT:** Early entries close Saturday, July 20, 2019. Day-of-Trial entries accepted until 7:30 am on July 27, 2019. Late, incomplete or unsigned entries will not be accepted. Substitutions may be made for hounds lame or in season until 7:30 am on Saturday, July 27, 2019.

ENTRIES WILL NOT BE ACKNOWLEDGED BY RETURN MAIL OR PHONE;  
ENTRIES MAY BE ACKNOWLEDGED BY E-MAIL  
IF OWNER FORWARDS E-MAIL ADDRESS.

**ALL HOUNDS RUN AT OWNERS SOLE RISK**

### STAKES OFFERED:

**Open:** Any eligible Irish Wolfhound that has met certification requirements, excluding ASFA Field Champions of Record.

**Field Champion:** Any ASFA Field Champion Irish Wolfhound.

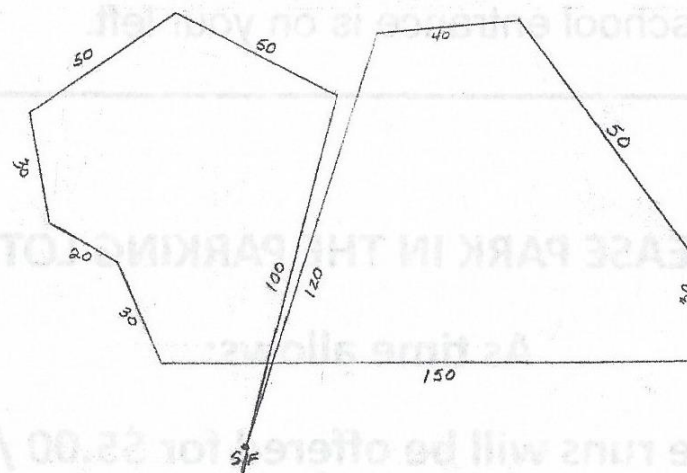
**Veteran:** Any eligible Irish Wolfhound 5 years of age or older that has met certification requirements.

All entries must be one year or older on the day of the trial. Stakes will be split if the entry in any one stake is 20 or more at the time of the draw. Hounds will run twice, in trios if possible, or braces, unless excused, dismissed or disqualified. Bitches in season, hounds with breed disqualifications, and lame hounds will be excused. Spayed, neutered, monorchid and cryptorchid hounds without breed disqualifications may be entered. Hounds not present at time of roll call will be scratched. Hound certifications will be run after the trial unless arrangements are made with the trial secretary in advance. Late, incomplete, unsigned, unpaid, or conditional entries will not be accepted. Trial will be held regardless of weather conditions.

**If this is your dog's first ASFA trial a signed ASFA Certification or Wavier must be included. A photocopy of your dog's individual registration from an acceptable registry must also be included. All hounds must have a registration number or your entry will not be accepted. Persons exhibiting un-sportsman like conduct detrimental to ASFA, this club, any hound or other person will be asked to leave the trial site.**

**EQUIPMENT:** A battery powered, continuous loop system will be used with white plastic bags for the lure. Back-up equipment will be available.

**Course Plan:** 680 yards (Course will be reversed for finals, runoffs & BOB)



---

DIRECTIONS TO SHOW SITE: US-101 N, take exit 132 for CA-1 toward Lompoc/Vanderberg Air Force Base. Turn left onto CA-1N. Continue straight onto 12<sup>th</sup> St. Turn right onto N Seventh St, turn left onto E College Ave.

---

US-101 S, take exit 166 for Union Valley Pkwy. Turn right onto E Union Valley Pkwy. Use the left 2 lanes to turn left onto Orcutt Express Way. Turn left onto CA-1 S/CA-135 S. Turn left to stay on CA-1 S. Slight right onto CA-1 s / N H St. Turn right at Lompoc HS.

For additional information contact  
Lori Walker @ (253) 670-5608

---

**Entries close Saturday, July 27 @ 7:30 am**

**THERE WILL BE NO VETERINARIAN ON THE GROUNDS  
VETERINARIAN - No on site Veterinarian Services.**

**Animal Care Hospital  
1307 N H St, suit A, Lompoc, CA 93436  
(805) 735-3602 open Saturday 9am – 5pm**

---

**BRING YOUR OWN SHADE & WATER**

Go to [www.ASFA.org](http://www.ASFA.org)  
for online Rulebook, Policies, Contacts, Clubs,  
Trial Schedules, Trial Results & much more.

**Certification Runs- \$10.00  
Fun Runs- \$5.00  
As Time Allows**

---

**OFFICIAL AMERICAN SIGHTHOUND FIELD ASSOCIATION ENTRY FORM**

**Irish Wolfhound Association of the West Coast**  
 ASFA-Sanctioned Irish Wolfhound Breed Lure Trial  
 Saturday, July 27, 2019

Lompoc HS, 515 W College Ave, Lompoc, CA, 93436

Early Entry Fee: \$20.00 first entry; \$18.00 each additional entry, same owner

Day-of-Trial Entry Fee: \$30.00 per dog.

Entries close July 27, 2018 @ 7:30AM

Make checks payable in US FUNDS ONLY to: **IWAWC** and mail to  
 Lori Walker, PO Box 1096, Shelton, WA 98584

Fee Paid \_\_\_\_\_ The Field Secretary cannot accept conditional, unsigned, incomplete or unpaid entries; please check your completed entry carefully.

Breed: <b>IW</b>		Call Name:	
Registered Name of Hound:			
Stake:		Additional Stakes <input type="checkbox"/> Kennel <input type="checkbox"/> Breeder <input type="checkbox"/> Bench	
Registration Number: (please write in registering body before number)			
<input type="checkbox"/> If possible, please separate my hounds	Date of Birth:	Sex: <input type="checkbox"/> Dog <input type="checkbox"/> Bitch	
Name of actual owner(s):			
Address:		Phone:	
City:	State:	Zip:	
E-mail (Optional)		(Optional) Region of Residence:	
Emergency Contact Name and Phone (Optional)			
<input type="checkbox"/> Check if this is the first ASFA trial for this hound. Attach a Hound Certification or waiver if entered in			
<input type="checkbox"/> Check if any information has changed since the last ASFA trial entry. Regarding _____			
<input type="checkbox"/> Check if this hound has been dismissed within the last 6 trials entered. Must be marked in order to qualify for a "clean" trial requirement.			

I CERTIFY that I am the actual owner of this dog, or that I am the duly authorized agent of the actual owner whose name I have entered above. In consideration of the acceptance of this entry and the opportunity to have this dog judged and to win prize money, ribbons, or trophies, I (we) agree to abide by the rules and regulations of the American Sighthound Field Association in effect at the time of this lure field trial, and by any additional rules and regulations appearing in the premium list for this lure field trial. I (we) agree that the club holding this lure field trial has the right to refuse this entry for cause, which the club shall deem to be sufficient. I (we) agree to hold this club, its members, directors, governors, officers, agents or other functionaries, any employees of the aforementioned parties and the owner(s) of the trial premises or grounds harmless from any claim for loss or injury which may be alleged to have been caused directly or indirectly to any person or thing by the act of this dog while in or upon the lure field trial premises or grounds or near any entrance thereto and I (we) personally assume all responsibility and liability for any such claim, and I (we) further agree to hold the aforementioned parties harmless from any claim loss of this dog by disappearance, theft damage or injury be caused or alleged to be caused by the negligence of the club or any of the aforementioned parties or by the negligence of any person or any other cause or causes. I (we) certify and represent that the dog entered is not a hazard to person or other dogs. This entry is submitted for acceptance of the forgoing representations and agreements.

**SIGNATURE** of owner or his agent  
 duly authorized to make this entry \_\_\_\_\_

**OFFICIAL AMERICAN SIGHTHOUND FIELD ASSOCIATION ENTRY FORM**

**Irish Wolfhound Association of the West Coast**  
 ASFA-Sanctioned Irish Wolfhound Breed Lure Trial  
 Saturday, July 27, 2019

Lompoc HS, 515 W College Ave, Lompoc, CA, 93436

Early Entry Fee: \$20.00 first entry; \$18.00 each additional entry, same owner

Day-of-Trial Entry Fee: \$30.00 per dog.

Entries close July 27, 2018 @ 7:30AM

Make checks payable in US FUNDS ONLY to: **IWAWC** and mail to  
 Lori Walker, PO Box 1096, Shelton, WA 98584

Fee Paid \_\_\_\_\_ The Field Secretary cannot accept conditional, unsigned, incomplete or unpaid entries; please check your completed entry carefully.

Breed: <b>IW</b>		Call Name:	
Registered Name of Hound:			
Stake:		Additional Stakes <input type="checkbox"/> Kennel <input type="checkbox"/> Breeder <input type="checkbox"/> Bench	
Registration Number: (please write in registering body before number)			
<input type="checkbox"/> If possible, please separate my hounds	Date of Birth:	Sex: <input type="checkbox"/> Dog <input type="checkbox"/> Bitch	
Name of actual owner(s):			
Address:		Phone:	
City:	State:	Zip:	
E-mail (Optional)		(Optional) Region of Residence:	
Emergency Contact Name and Phone (Optional)			
<input type="checkbox"/> Check if this is the first ASFA trial for this hound. Attach a Hound Certification or waiver if entered in			
<input type="checkbox"/> Check if any information has changed since the last ASFA trial entry. Regarding _____			
<input type="checkbox"/> Check if this hound has been dismissed within the last 6 trials entered. Must be marked in order to qualify for a "clean" trial requirement.			

I CERTIFY that I am the actual owner of this dog, or that I am the duly authorized agent of the actual owner whose name I have entered above. In consideration of the acceptance of this entry and the opportunity to have this dog judged and to win prize money, ribbons, or trophies, I (we) agree to abide by the rules and regulations of the American Sighthound Field Association in effect at the time of this lure field trial, and by any additional rules and regulations appearing in the premium list for this lure field trial. I (we) agree that the club holding this lure field trial has the right to refuse this entry for cause, which the club shall deem to be sufficient. I (we) agree to hold this club, its members, directors, governors, officers, agents or other functionaries, any employees of the aforementioned parties and the owner(s) of the trial premises or grounds harmless from any claim for loss or injury which may be alleged to have been caused directly or indirectly to any person or thing by the act of this dog while in or upon the lure field trial premises or grounds or near any entrance thereto and I (we) personally assume all responsibility and liability for any such claim, and I (we) further agree to hold the aforementioned parties harmless from any claim loss of this dog by disappearance, theft damage or injury be caused or alleged to be caused by the negligence of the club or any of the aforementioned parties or by the negligence of any person or any other cause or causes. I (we) certify and represent that the dog entered is not a hazard to person or other dogs. This entry is submitted for acceptance of the forgoing representations and agreements.

**SIGNATURE** of owner or his agent  
 duly authorized to make this entry \_\_\_\_\_



**AMERICAN SIGHTHOUND FIELD ASSOCIATION  
HOUND CERTIFICATION**

**Rule effective October 1, 1994: Ch. V, Sec. 4 (a) OPEN STAKE:** *To be eligible to enter the open stake, a hound must have been certified by a licensed judge within the year preceding the closing date for the entry or have previously competed in the Open Stake. This eligibility requirement also applies to a hound entered in the Limited or Veteran Stake, which has not competed in Open previously. Please complete this portion of this form and attach it to the entry form for the hound's first entry, including an entry for a Fun Trial.*

Registered Name of Hound: \_\_\_\_\_

Registration Number: \_\_\_\_\_ Breed: \_\_\_\_\_

Registered Owner's Name: \_\_\_\_\_

I hereby certify that on (date) \_\_\_\_\_, the above named hound completed a lure course of at least 500 yards, running with another hound of the same breed (or another breed with a similar running style). During the course the above named hound showed no inclination to interfere with the other hound. I further certify that I am a licensed judge for the ASFA.

Name of Licensed Judge: \_\_\_\_\_

Signature: \_\_\_\_\_ Date: \_\_\_\_\_

I hereby certify that the hound running in the certification course is the hound identified above and that information provided on this form is true and correct.

Signature: \_\_\_\_\_ Date: \_\_\_\_\_

Owner or Authorized Agent of Hound

This certification form must be attached to the entry form the first time this hound is entered in an open, limited, or veteran stake. Any hound entered in open, limited, or veteran (as a first time entered hound), which has not been certified, shall be declared ineligible by the records coordinator and shall forfeit any points and placements awarded.

**PLEASE RETAIN A COPY FOR YOUR RECORDS.**

**AMERICAN SIGHTHOUND FIELD ASSOCIATION  
HOUND CERTIFICATION WAIVER**

**Waiver of Requirement:** *This requirement will be waived for a hound that has earned a lure coursing or racing title from another recognized organization, if such title requires competition, and if a waiver for such title has been approved by the ASFA, or a CKC Hound Certification Form. If your hound qualifies for a waiver, complete this portion of this form and attach it to your entry form. Proof of waivers must accompany this certification form.*

Registered Name of Hound: \_\_\_\_\_

Registration Number: \_\_\_\_\_ Breed: \_\_\_\_\_

Registered Owner's Name: \_\_\_\_\_

**CKC:** FCH FCHX

**AKC:** QC SC FC

Hound Certification previously submitted.

I hereby certify that the hound identified above has completed the requirements for the title indicated above (or that the required Certification was previously submitted) and that the information provided on this form is true and correct.

Signature: \_\_\_\_\_ Date: \_\_\_\_\_

Owner or Authorized Agent of Hound

**AMERICAN SIGHTHOUND FIELD ASSOCIATION  
HOUND CERTIFICATION**

**Rule effective October 1, 1994: Ch. V, Sec. 4 (a) OPEN STAKE:** *To be eligible to enter the open stake, a hound must have been certified by a licensed judge within the year preceding the closing date for the entry or have previously competed in the Open Stake. This eligibility requirement also applies to a hound entered in the Limited or Veteran Stake, which has not competed in Open previously. Please complete this portion of this form and attach it to the entry form for the hound's first entry, including an entry for a Fun Trial.*

Registered Name of Hound: \_\_\_\_\_

Registration Number: \_\_\_\_\_ Breed: \_\_\_\_\_

Registered Owner's Name: \_\_\_\_\_

I hereby certify that on (date) \_\_\_\_\_, the above named hound completed a lure course of at least 500 yards, running with another hound of the same breed (or another breed with a similar running style). During the course the above named hound showed no inclination to interfere with the other hound. I further certify that I am a licensed judge for the ASFA.

Name of Licensed Judge: \_\_\_\_\_

Signature: \_\_\_\_\_ Date: \_\_\_\_\_

I hereby certify that the hound running in the certification course is the hound identified above and that information provided on this form is true and correct.

Signature: \_\_\_\_\_ Date: \_\_\_\_\_

Owner or Authorized Agent of Hound

This certification form must be attached to the entry form the first time this hound is entered in an open, limited, or veteran stake. Any hound entered in open, limited, or veteran (as a first time entered hound), which has not been certified, shall be declared ineligible by the records coordinator and shall forfeit any points and placements awarded.

**PLEASE RETAIN A COPY FOR YOUR RECORDS.**

**AMERICAN SIGHTHOUND FIELD ASSOCIATION  
HOUND CERTIFICATION WAIVER**

**Waiver of Requirement:** *This requirement will be waived for a hound that has earned a lure coursing or racing title from another recognized organization, if such title requires competition, and if a waiver for such title has been approved by the ASFA, or a CKC Hound Certification Form. If your hound qualifies for a waiver, complete this portion of this form and attach it to your entry form. Proof of waivers must accompany this certification form.*

Registered Name of Hound: \_\_\_\_\_

Registration Number: \_\_\_\_\_ Breed: \_\_\_\_\_

Registered Owner's Name: \_\_\_\_\_

**CKC:** FCH FCHX

**AKC:** QC SC FC

Hound Certification previously submitted.

I hereby certify that the hound identified above has completed the requirements for the title indicated above (or that the required Certification was previously submitted) and that the information provided on this form is true and correct.

Signature: \_\_\_\_\_ Date: \_\_\_\_\_

Owner or Authorized Agent of Hound